

# MOTULTECH VIS

EVERY MACHINE HAS BEEN CONSTITUTED FROM MECHANICAL PARTS, THEREFORE THE RIGHT CHOICE OF LUBRICANT FOR THEM IS VERY IMPORTANT TO ENSURE THE MACHINE IS FULLY PROTECTED, OPERATING PRECISELY AND EFFECTIVELY.

MOTULTECH VIS has been developed from highly refined base oils and innovative additive system help equipment operator select the right lubricant to ensure the optimum operation through:



**EQUIPMENT PROTECTION • LONGER OIL LIFE**  
**• OPTIMUM PERFORMANCE**

PRODUCT	EQUIPMENT PROTECTION	LONGER OIL LIFE	OPTIMUM PERFORMANCE
VIS	★★★★	★★★★	★★★

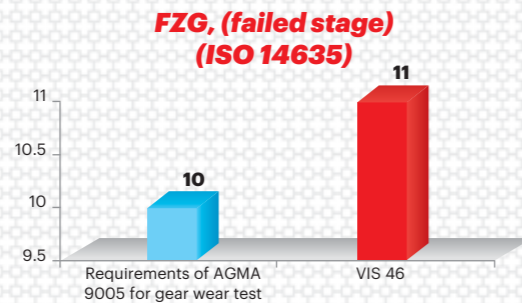
MOTULTECH VIS provides the equipment protection and optimum performance for compressor system. Product has produced from refined base oil and innovative additive system to help resistance oxidation and deposit formation, keep system and equipment cleanliness. Product meets the most important standards for compressor oil.

## EQUIPMENT PROTECTION

Protecting screw and vane from damage is very important to help increasing compressor system life and minimize breakdown during operation. MOTULTECH helps to optimum protect equipment through:

### FZG load test:

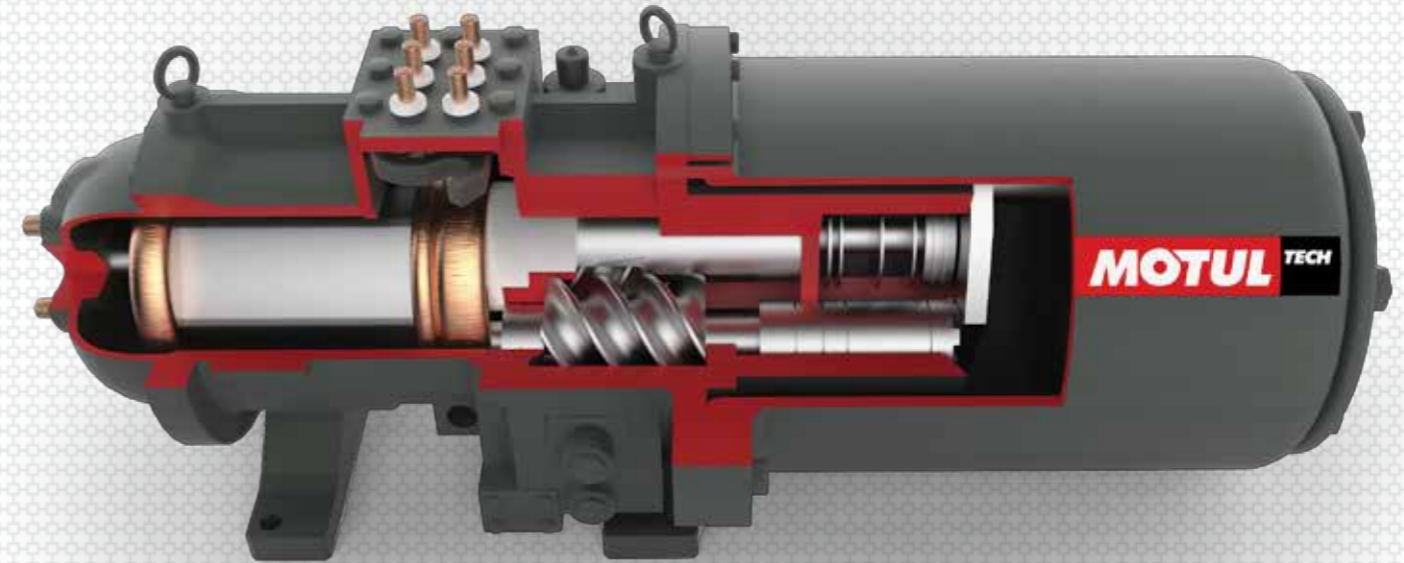
Failed stage is higher than industrial standard for gear-wear requirement.



**Very good weld load** to provide excellent bearing wear defense, product passes the 4 ball weld load test at 126 kg follow ISO 20623 standard.

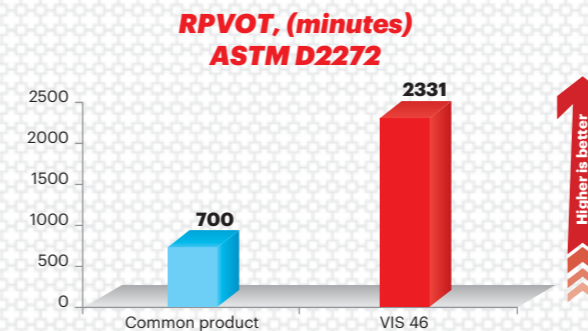
**Very good anti corrosion properties.** Product has passed steel corrosion test by ASTM D665.

## MOTULTECH VIS

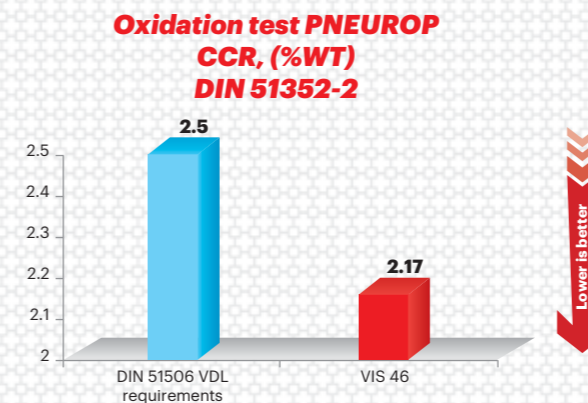


## LONGER OIL LIFE

MOTULTECH VIS has formulated with specific base oils and additive system, helps to enhance oil life. Product can reach up to 4000 hours oil life. Product also has very good oxidation stability. It's better more than 3 times to compare with common product in market.



**Product has passed the most severe oxidation test - PNEUROP** by DIN 51352-2 method.



## OPTIMUM PERFORMANCE

MOTULTECH VIS helps to maintain and enhance system performance of compressor system through:

**Excellent water separability**, which maintains well the oil film to ensure efficient and constant lubrication

**Very good air release properties**, which help to reduce the risk of oxidation & pump cavitation.

## APPLICATION

Used for rotary compressor

